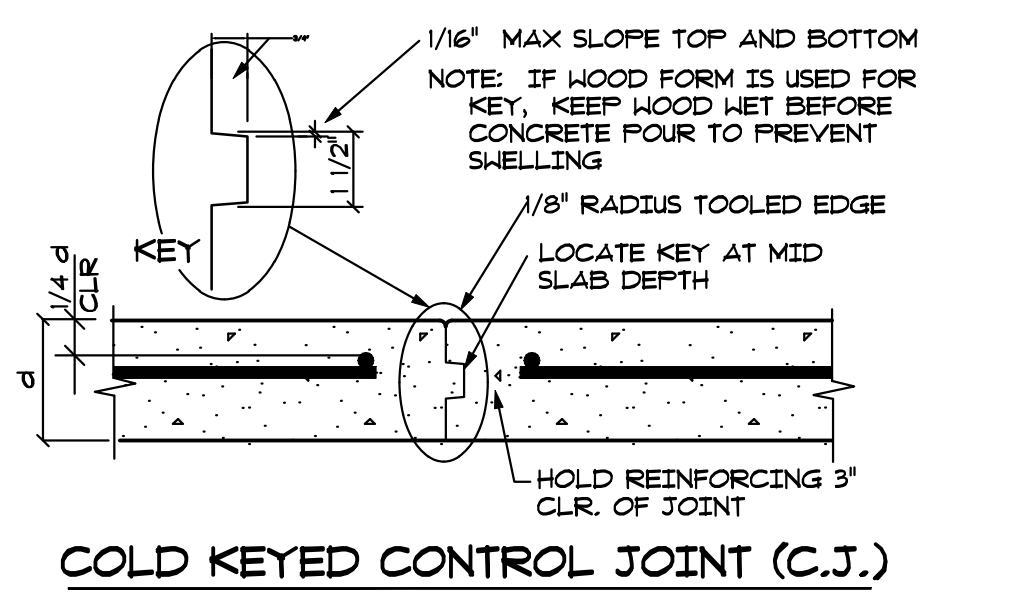
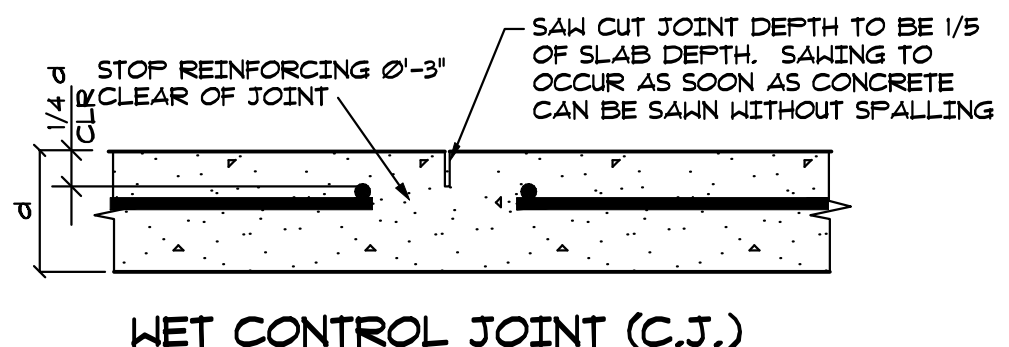
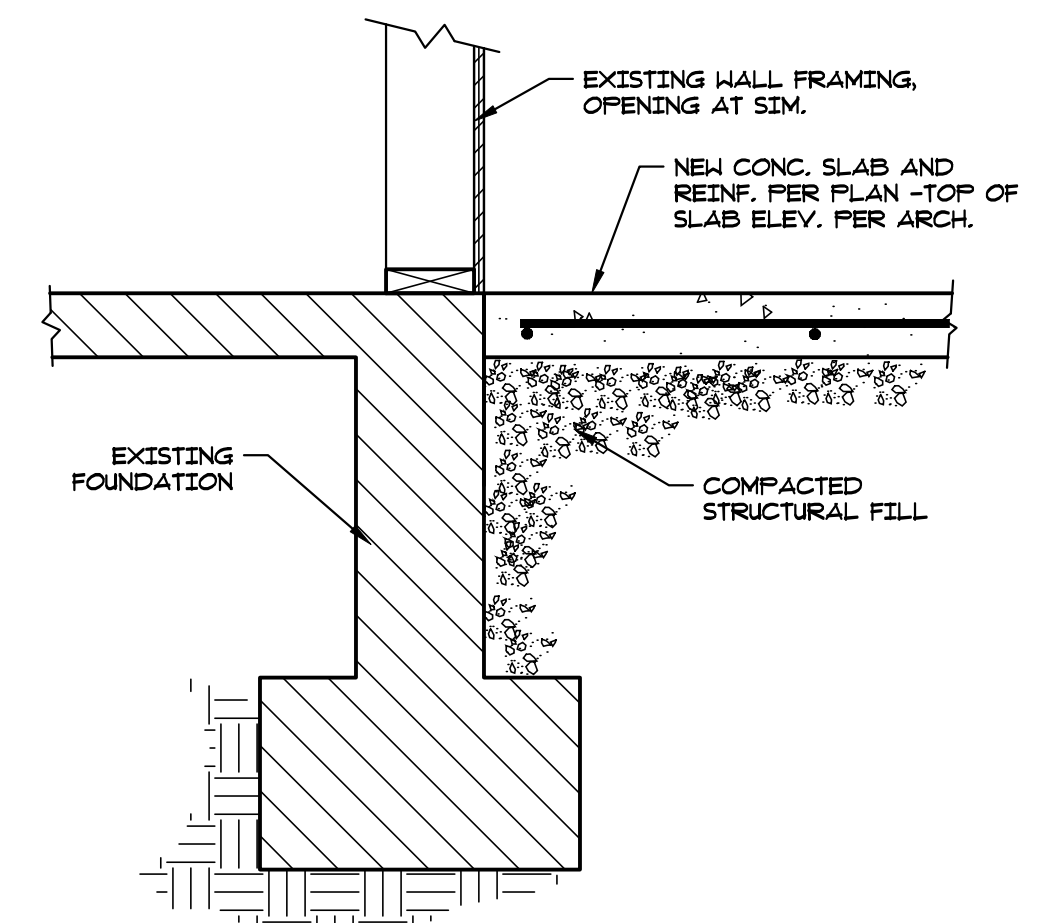
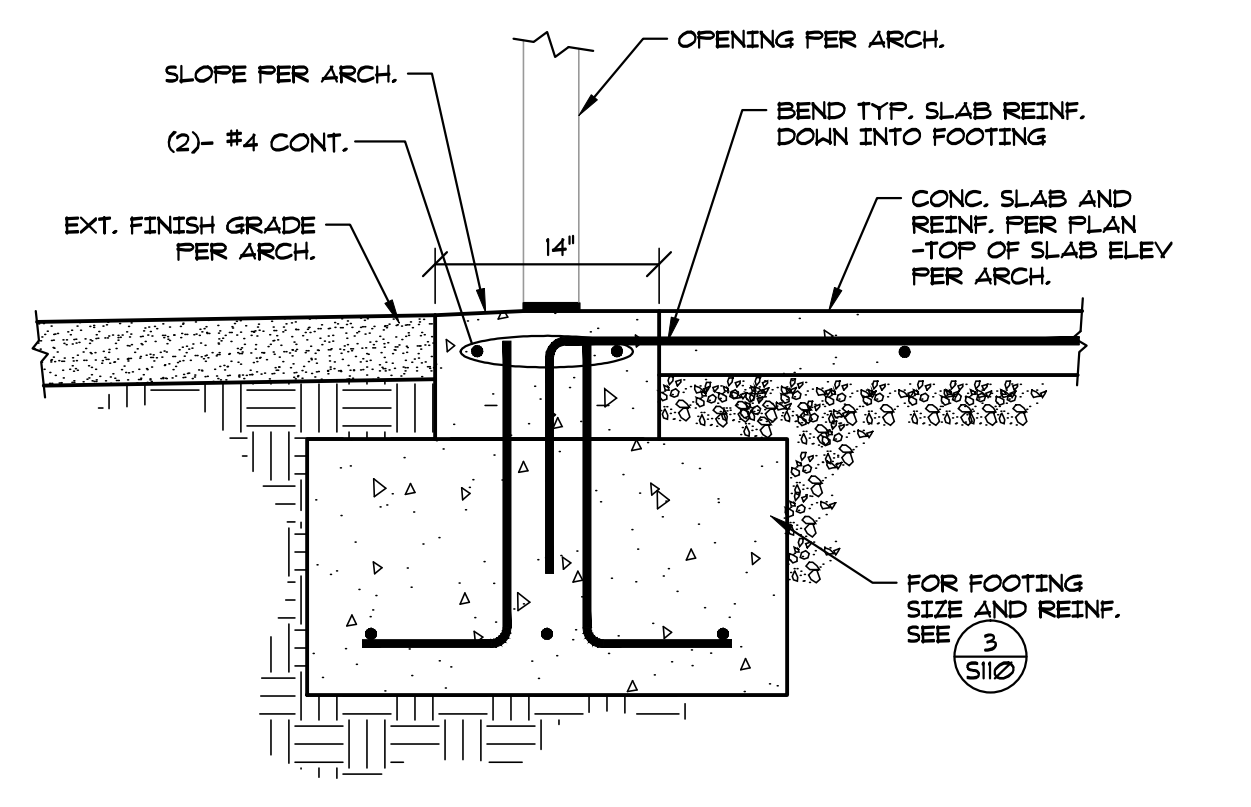
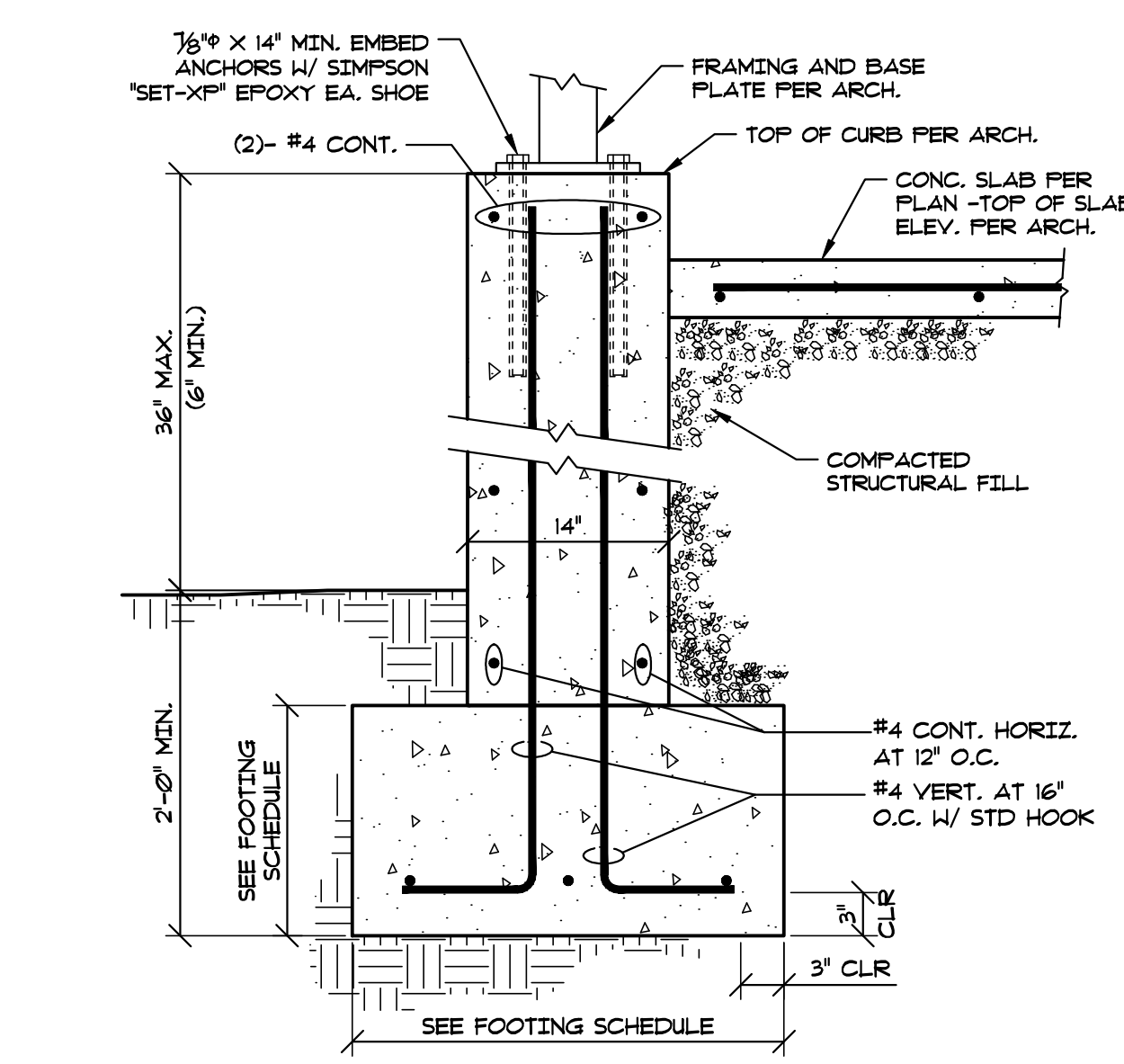
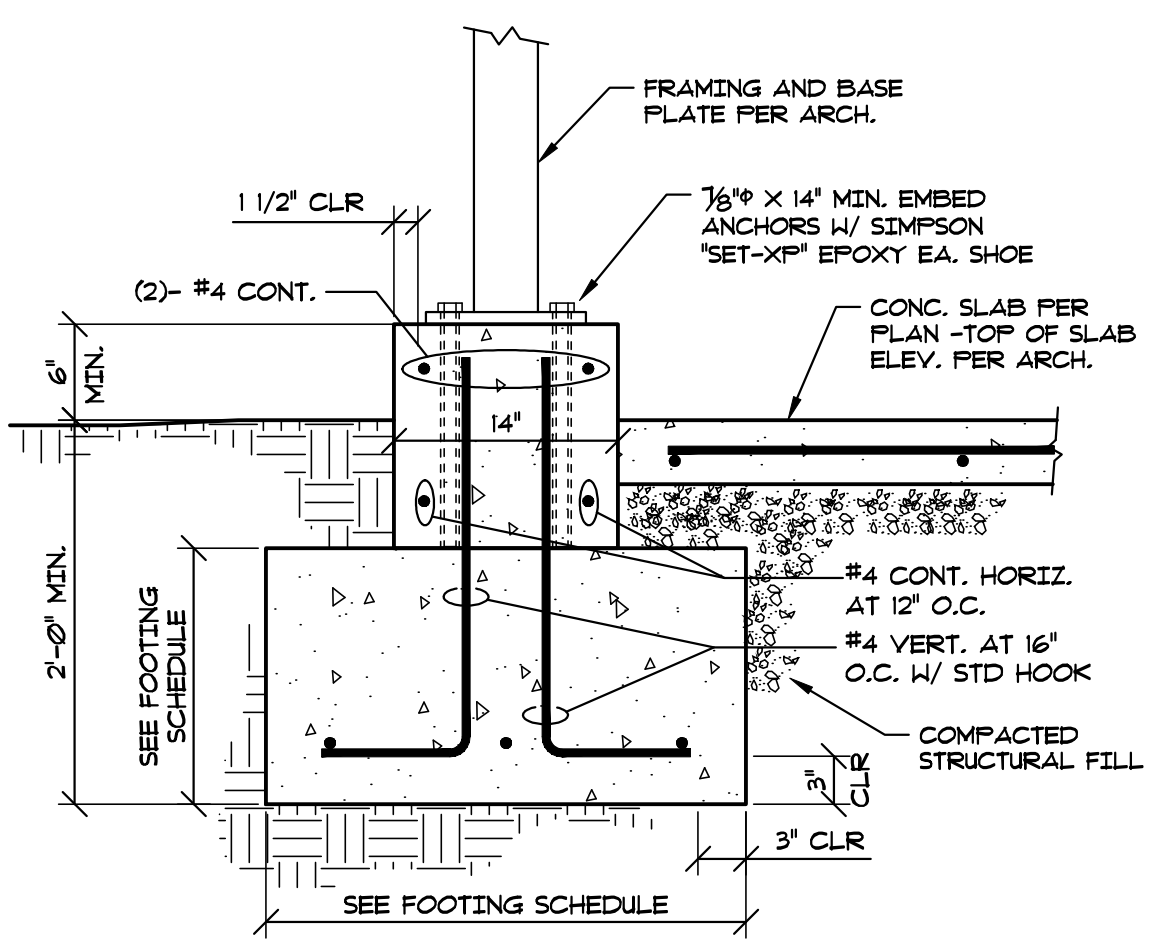


FOUNDATION PLAN
1/4" = 1'-0"



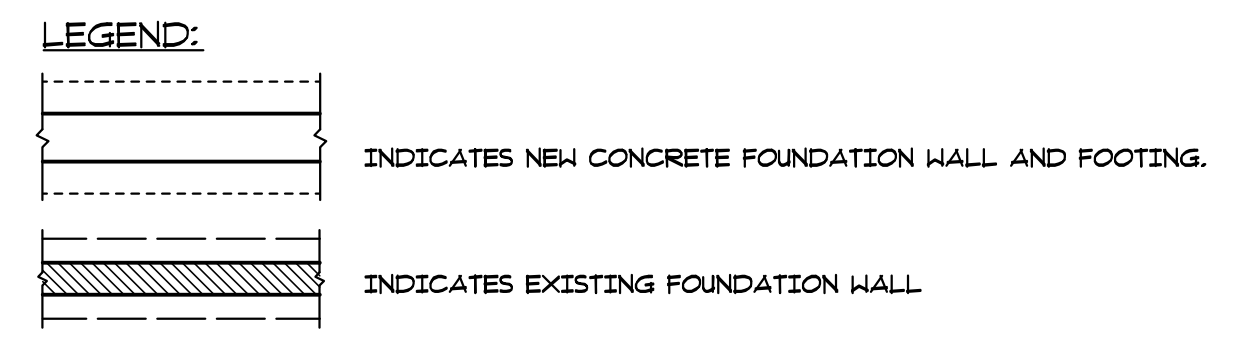
NOTES - ALL CONSTRUCTION (POUR) JOINTS TO BE COLD CONTROL JOINTS - SEE PLANS FOR LOCATIONS OF JOINTS
- CONTRACTOR FORMING SCHEME WILL DETERMINE WHICH JOINTS ARE COLD C.J.'S AND WHICH ARE WET C.J.'S.

2 TYPICAL CONTROL JOINTS
1/2" = 1'-0"



FOOTING SCHEDULE	
MK.	FOOTING SIZE
1	2'-6" WIDE X 16" THICK CONT.

DESIGN SOIL PRESSURE = 1500 PSF PER FOSTER GAMBEE GEOTECHNICAL REPORT DATED OCTOBER 5, 2010



- NOTES:**
- 1) VERIFY ALL SLAB SLOPES, RECESSES, BLOCKOUTS, ETC. WITH ARCH. DRAWINGS.
 - 2) VERIFY ALL DIMENSIONS WITH ARCH. DRAWINGS. SEE ARCH. DRAWINGS FOR ADDITIONAL DIMENSIONS.
- ⊗ INDICATES FOOTING TYPE -SEE SCHEDULE THIS SHEET
- C. J. CONTROL JOINT - SEE 2

WMH COVERED WALKWAY
Wallowa County Health Care District
Enterprise, OR



ISSUE DATE: 09.30.2016
REVISIONS:

FOUNDATION PLAN, DETAILS

S110

LEWIS & VAN VLEET INC.
CONSULTING ENGINEERS
18660 SW boones ferry road
tualatin, oregon 97062
(503) 885-8609 phone
(503) 885-1206 fax
Contact Project Engr.: GARY LEWIS
job # 16134

Design Development